

**ROWAN COUNTY
AMBULANCE GARAGE
MOREHEAD, KENTUCKY**

DATE	REVISION	BY

PROJECT NO. 2306	DESIGNED BY TBM
DRAWN BY TBM	CHECKED BY TBM
REVIEWED BY	DATE APRIL 2020
SCALE AS NOTED	

Engineers
Architects
Planners

nse
OF KENTUCKY, INC.

624 Wellington Way
Morehead, KY 40351
Phone: (606) 223-5654
Fax: (606) 223-2607
www.nseinc.com

DRAWING NO.
P-1
SHEET OF

MARK	SYMBOL	MODEL #	DESCRIPTION
EYES-1		HAW'S MODEL # 7340BT-7468T	REFERENCE AND COORDINATE WITH TRU BY HILTON NORTH AMERICAN PROTOTYPE. FOODSERVICE EQUIPMENT BROCHURES. WALL MOUNTED EYEFACE WASH SHALL INCLUDE A STAINLESS STEEL 1" (27.9 CM) ROUND BOWL. AN ANIONIC MSR EYEFACE WASH HEAD SHALL FEATURE INVERTED DIRECTIONAL LAMINAR FLOW WHICH ACHIEVES ZERO VERTICAL VELOCITY SUPPLIED BY AN INTEGRAL FLOW CONTROL.
L-1		GLACIER BAY FS12C033CP, GLACIER BAY 13-0012-4WHD, EVERBILT C756-1	4" CENTERSET 2-HANDLE MID-ARC FAUCET, WATERSENSE CERTIFIED, 1.2 GPM FLOW RATE AT 60 PSI. VALVE INCLUDED. DROP-IN BATHROOM SINK W/ 4" CENTER FAUCET HOLES. 2-PIECE POP-UP DRAIN ASSEMBLY. FAUCET ADA COMPLIANT.
MS		MUSTEE 63M	24" X 24" X 10" SERVICE MOP BASIN FOR 3" DWV. COMES WITH DRAIN SEAL FOR INSTALLATION TO 3" ABS, PVC (SCH. #80) AND IRON PIPE. REMOVABLE STAINLESS STEEL STRAINER INCLUDED. CENTER DRAIN LOCATION.
S-1		AMERICAN STANDARD TULSA MODEL # 200B-332211.C.075	33-IN X 22-IN STAINLESS STEEL DOUBLE EQUAL BOWL DROP-IN OR UNDERMOUNT 1-HOLE RESIDENTIAL KITCHEN SINK ALL-IN-ONE KIT
SH-1		AQUATIC HOME DEPOT MODEL # 1423CT-WHHD	42 IN. X 42 IN. X 74 IN. 1-PIECE SHOWER STALL WITH CENTER DRAIN WITH SHOWER KIT; # 142984C-BN-A PORTER SINGLE-HANDLE 3-SPRAY SHOWER FAUCET IN BRUSHED NICKEL (VALVE INCLUDED). GLACIER BAY SHOWER ROD; ALUMINUM ADJUSTABLE TENSION CURVED SHOWER ROD.
SH-ADA		AQUATIC HOME DEPOT MODEL # 727149572369	ACCESSIBLE 44 IN. X 36 IN. X 73 IN. 1-PIECE ANSI SHOWER STALL WITH LEFT SEAT (L-SHAPED), CUSHIONED FOLD UP SEAT, 1-1/2 IN. DIA. STAINLESS STEEL L-SHAPED GRAB BARS 18 IN. SIDEWALL OPPOSITE SEAT AND (1) 30 IN. ON BACK WALL PRESSURE BALANCING MIXING VALVE AND MODERN HAND-HELD SHOWER WITH SLIDE BAR ASSEMBLY, 1-1/2 IN. DIA. X 18 IN. STAINLESS STEEL VERTICAL GRAB BAR MEETS ANSI TYPE 8 GUIDELINES
WC-1		American Standard Colony Z21A-A005.020	RESIDENTIAL FLOOR MOUNTED TANK-TYPE WATER CLOSET. ELONGATED BOWL, ADA 16-1/2" RIM HEIGHT, 1.28 GPF, 12" ROUGH-IN. FINISH WITH SEAT, FLAPPER, FLUSH VALVE, ESCUTCHEON PLATE, TRIP LEVER (ON WIDE SIDE), AND OTHER NECESSARY HARDWARE.

* EQUIVALENT MANUFACTURERS ARE ACCEPTABLE

SHEET NOTES

- CUT / PATCH CONCRETE & EARTH FOR WASTE LINE EXTENSION. PATCH CONCRETE, REGRADE AND RESEED AS NECESSARY TO EXTEND WASTE LINE.
- EYE WASH WITH TEMPERING VALVE. SEE DETAIL.
- NOT USED.
- 3/4" COLD WATER PEX OVER HEAD.
- EXISTING SEWAGE PUMP.
- CONNECT TO EXISTING WASTE LINE AT THIS APPROXIMATE LOCATION.
- APPROXIMATE LOCATION OF EXISTING WASTE LINE.
- CONNECT TO EXISTING DOMESTIC SUPPLY. TRENCH BENEATH FLOOR AND UP IN ADJACENT WALL. (CONNECT AT WATER HEATER IN ADJACENT KITCHEN.)

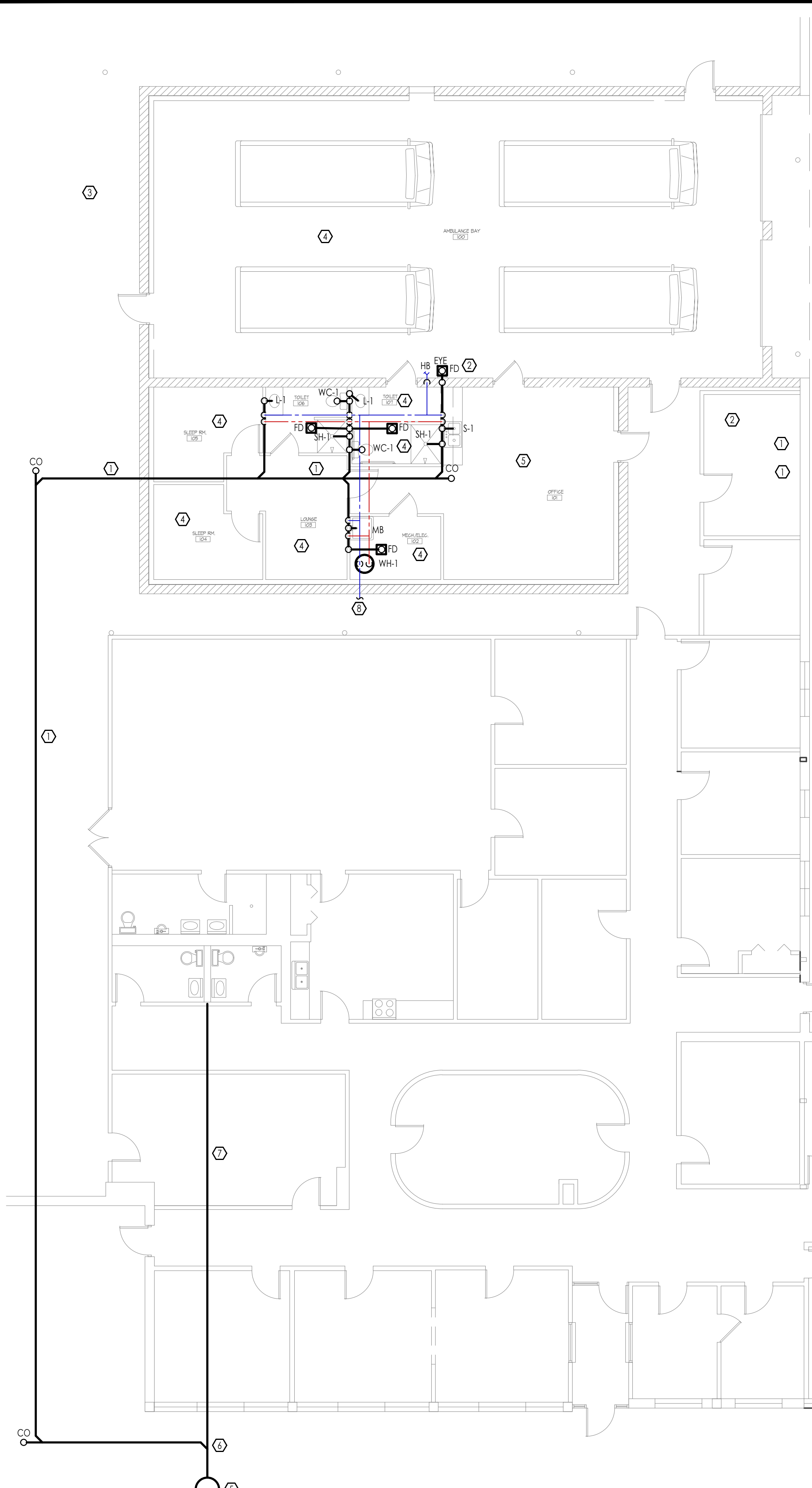
SPRINKLER SHEET NOTES

- EXISTING DRY SPRINKLER RISER.
- EXISTING DRY SYSTEM AIR COMPRESSOR.
- EXISTING HAS DRY UPRIGHT HEADS THROUGH STORAGE BAY AREA.
- INSTALL DRY SPRINKLER SPRINKLER IN THIS AREA WITH UPRIGHT HEADS.
- INSTALL DRY SPRINKLER HEADS IN THIS AREA WITH GRID MOUNTED SEMI RECESSED HEADS.
- ALL SPRINKLER HEADS SHALL BE DESIGNED FOR ORDINARY HAZARD.

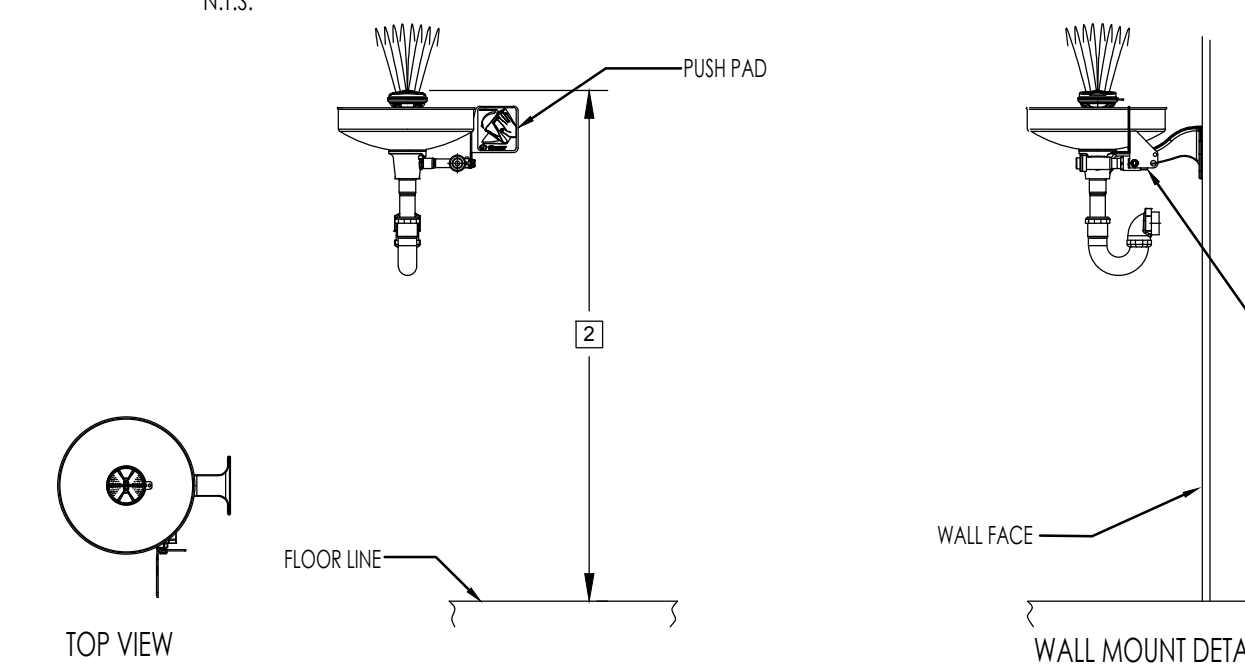
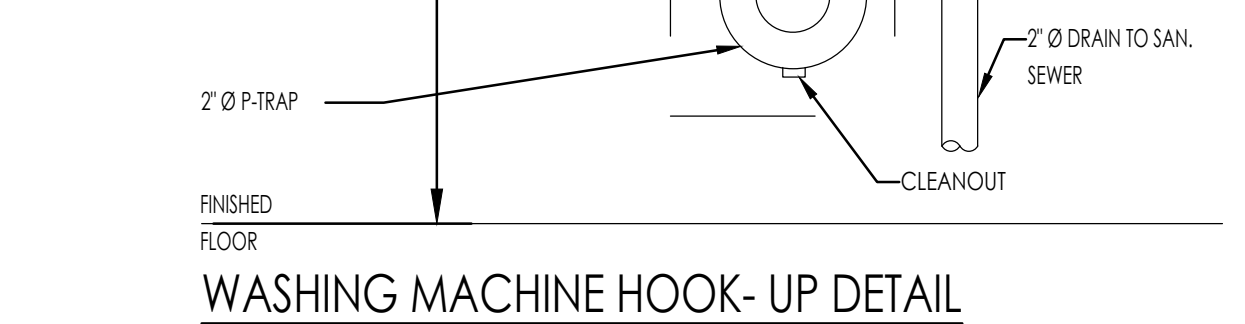
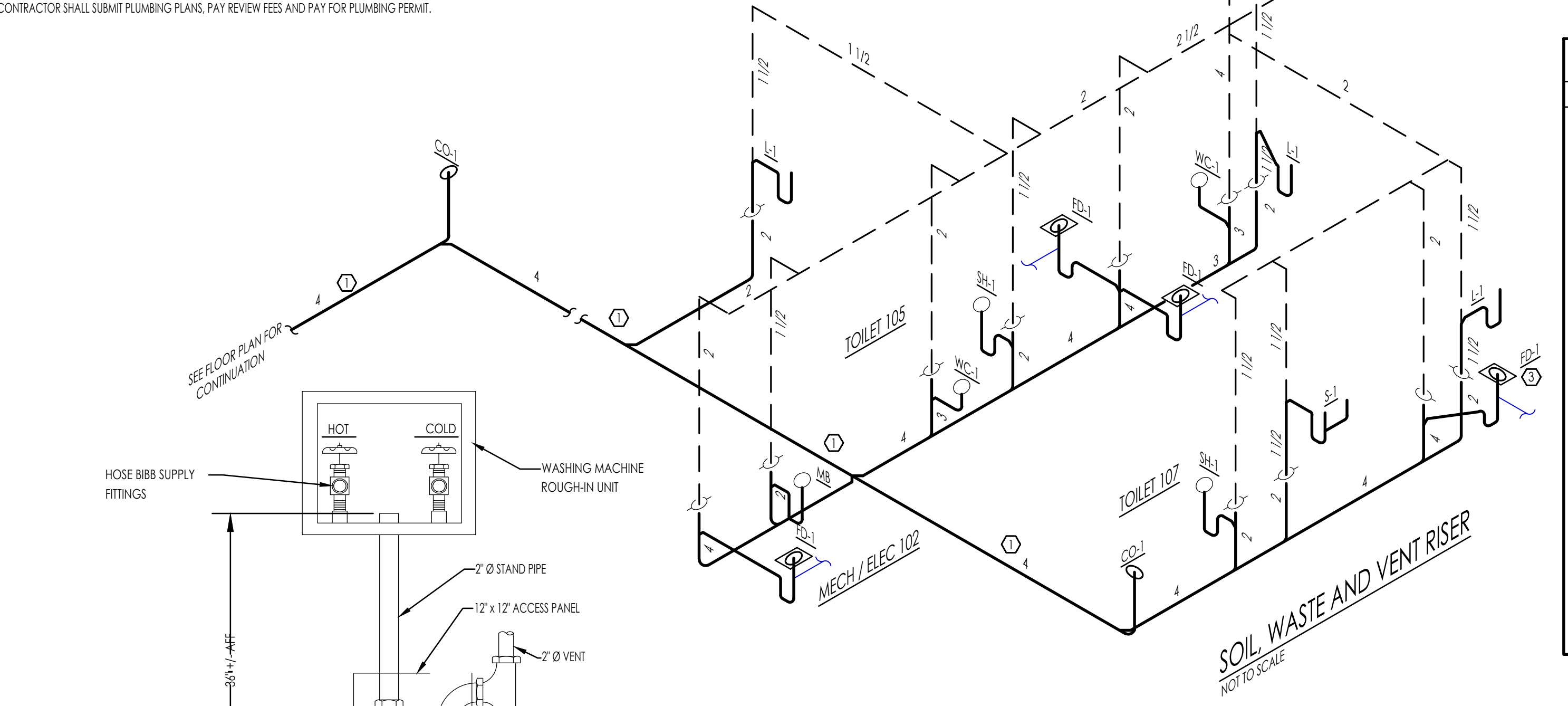
GENERAL PLUMBING NOTES

THE FOLLOWING NOTES AND ANY OTHER GENERAL NOTES IN THE DRAWINGS ARE GENERAL IN NATURE AND PERTAIN TO THE ENTIRE PROJECT. WHERE THERE ARE EXCEPTIONS, ADDITIONS, OR REVISIONS TO THESE NOTES, SUCH EXCEPTIONS, ADDITIONS OR REVISIONS ARE SO NOTED ON THE PARTICULAR DRAWING WHERE THEY OCCUR. (APPLIES TO ALL PLUMBING (P-) SHEETS).

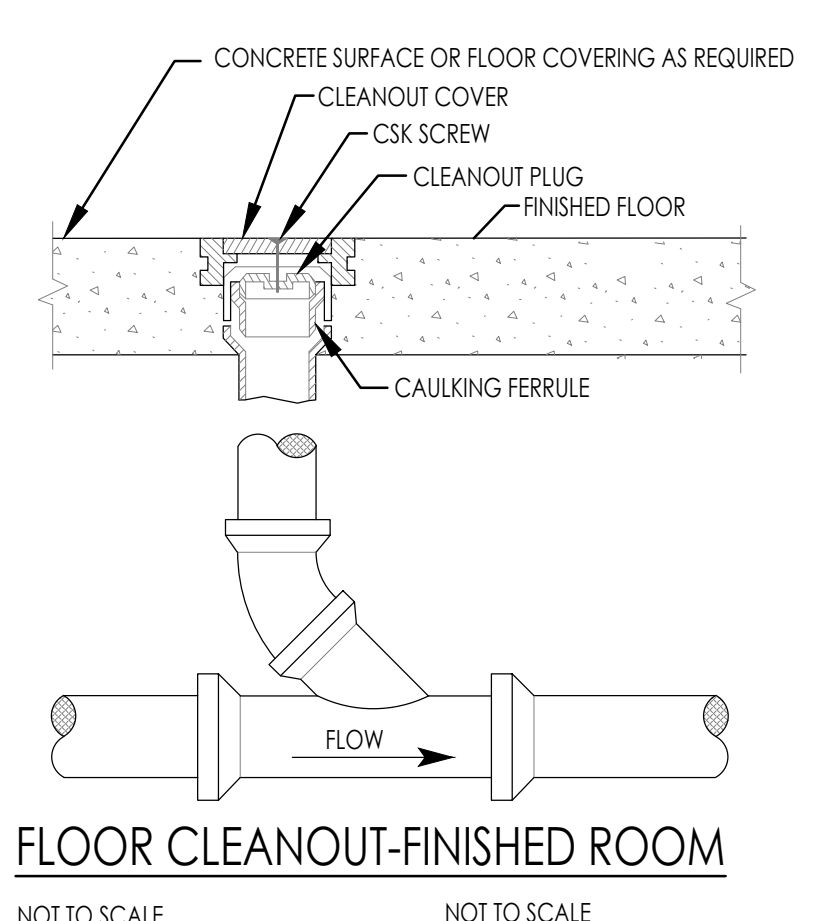
- LIST OF ABBREVIATIONS, ACRONYMS, AND SYMBOLS IS A STANDARD LIST, NOT ALL SYMBOLS SHOWN ON THE PLUMBING LEGEND MAY BE USED FOR THIS PROJECT.
- ACCESS PANELS ARE REQUIRED IN WALLS, FLOORS, AND SUSPENDED CEILINGS (EXCEPT LAY-IN TYPE) FOR ACCESS TO ALL VALVES, TRAPS, DAMPERS, CLEANOUTS, CONTROLS, SMOKE DETECTORS, ETC. PANELS SHALL BE FURNISHED AND INSTALLED UNDER ARCHITECTURAL SPECIFICATIONS.
- PIPING SHOWN ON THE PLANS ARE DIAGRAMMATIC, AND MAY NOT SHOW ALL BENDS, OFFSETS, ROUTING, AND FITTINGS NECESSARY FOR THE INSTALLATION OF THE WORK AS INTENDED.
- THE PLUMBING CONTRACTOR SHALL COORDINATE WITH ALL OTHER TRADES IN THE INSTALLATION OF PLUMBING EQUIPMENT AND ALL ASSOCIATED ACCESSORIES, PRIOR TO INSTALLING EQUIPMENT.
- THE CONTRACTOR SHALL LOCATE AND MARK ALL EXISTING UTILITIES ON SITE PRIOR TO GRADING OR EXCAVATION. THIS SHALL BE MAINTAINED THROUGHOUT CONSTRUCTION.
- ALL DIMENSIONS ARE SHOWN IN INCHES UNLESS OTHERWISE NOTED.
- PROVIDE MECHANICAL SLEEVE SEALS FOR PENETRATIONS BELOW GRADE.
- CONCEAL PIPING WHENEVER POSSIBLE UNLESS NOTED OTHERWISE.
- ALL FIXTURES ARE TO BE EQUIPPED WITH STOP VALVES IN AN ACCESSIBLE LOCATION.
- INSTALL ALL EXTERIOR HOSE BIBBS APPROXIMATELY 20" ABOVE FINISHED GRADE.
- INSTALL ALL INTERIOR HOSE BIBBS APPROXIMATELY 12" ABOVE FINISHED FLOOR.
- THE CONTRACTOR SHALL NOTIFY THE ENGINEER IN WRITING OF ANY DISCREPANCIES NOTED IN THE PLANS AND SPECIFICATIONS OR IN THE EXISTING SITE CONDITIONS BEFORE PROCEEDING WITH THE WORK.
- ALL EQUIPMENT CONCRETE PADS SHALL BE 3000 PSI CONCRETE AND HAVE CORNERS BEVELED.
- ALL PLUMBING WORK SHALL BE IN ACCORDANCE WITH STATE, LOCAL, AND ALL PLUMBING LAW, REGULATIONS AND CODE.
- CONTRACTOR SHALL SUBMIT PLUMBING PLANS, PAY REVIEW FEES AND PAY FOR PLUMBING PERMIT.



PLUMBING PLAN
SCALE: 1/8" = 1'-0"

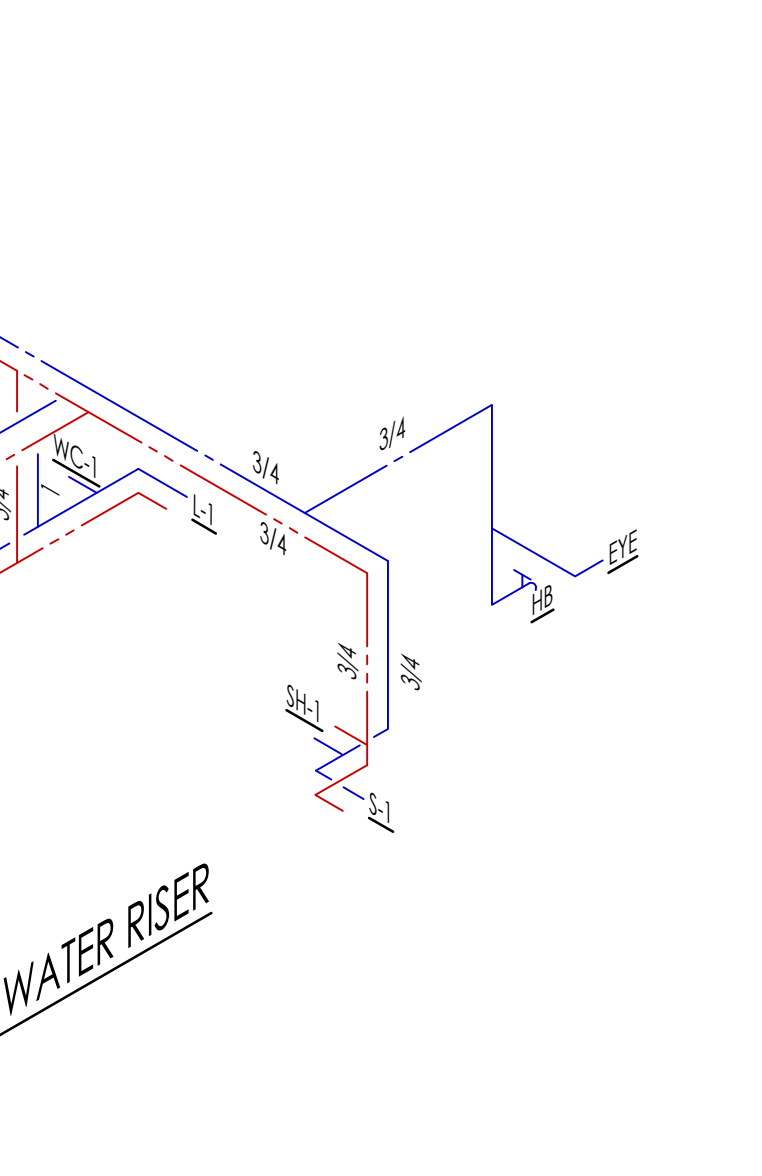


- NOTES:
- PROVIDE ONLY APPROVED FIXTURE THAT COMPLIES WITH ALL APPLICABLE CODES INCLUDING ANSI Z358.1-2014 FOR EMERGENCY EYE WASH OR EYE/FACE WASH
 - HIGHT TO BE DETERMINED BY ALL APPLICABLE CODES & WATER FLOW PATTERN
 - WHEN INSTALLING THIS UNIT, LOCAL, STATE, OR FEDERAL CODES SHALL BE ADHERED TO FOR INSTALLATION DIMENSIONS (LOCATIONS), WASTE AND SUPPLY REQUIREMENTS AS SHOWN OR NOT.
 - DETAILS WILL VARY BY MANUFACTURER. DRAWINGS ARE SHOWN FOR GENERAL REFERENCE ONLY. ALL DIMENSIONS SHALL BE DETERMINED BY CODE, MANUFACTURER, & FIELD VERIFIED.
 - COORDINATE INSTALLATION WITH ALL RELATED DISCIPLINES INCLUDING ARCHITECTURAL
- EYE WASH**
N.T.S.



MARK	MANUFACTURER & MODEL NO.	STOR.	TEMP.	EXP. TANK	ELECTRIC	NOTES
WH-1	RHEM XE40M62STU	40 GAL.	115°F	AMTROL ST-12	4500 WATT 208 / 10 30A MOC	Performance 40 Gal. Medium 6 Year 4500/4500-Watt Elements Electric Tank Water Heater. Uniform energy factor 0.93. 6 year limited warranty on tank and parts. Delivers 53 gallons of hot water in the first hour

PLUMBING LEGEND	
SYMBOL	DESCRIPTION
	WASTE PIPE
	VENT PIPE
	DOMESTIC COLD WATER
	DOMESTIC HOT WATER - 110°F
	PIPE TURNED UP
	PIPE TURNED DOWN
	PIPE OUT TOP
	PIPE OUT BOTTOM
	UNION
	BALL VALVE
	THERMOMETER
	SHEET NOTE
	INDICATES CONNECTION POINT OF NEW WORK TO EXISTING SYSTEMS
	AFF ABOVE FINISHED FLOOR
	CO CLEAN OUT
	WHA WATER HAMMER ARRESTER



AFAE ENGINEERING, LLC
CONSULTING ENGINEERS
HVAC - PLUMBING - ELECTRICAL
706 WESTLAND DRIVE
LEXINGTON, KENTUCKY 40504
PHONE (859) 255-4457